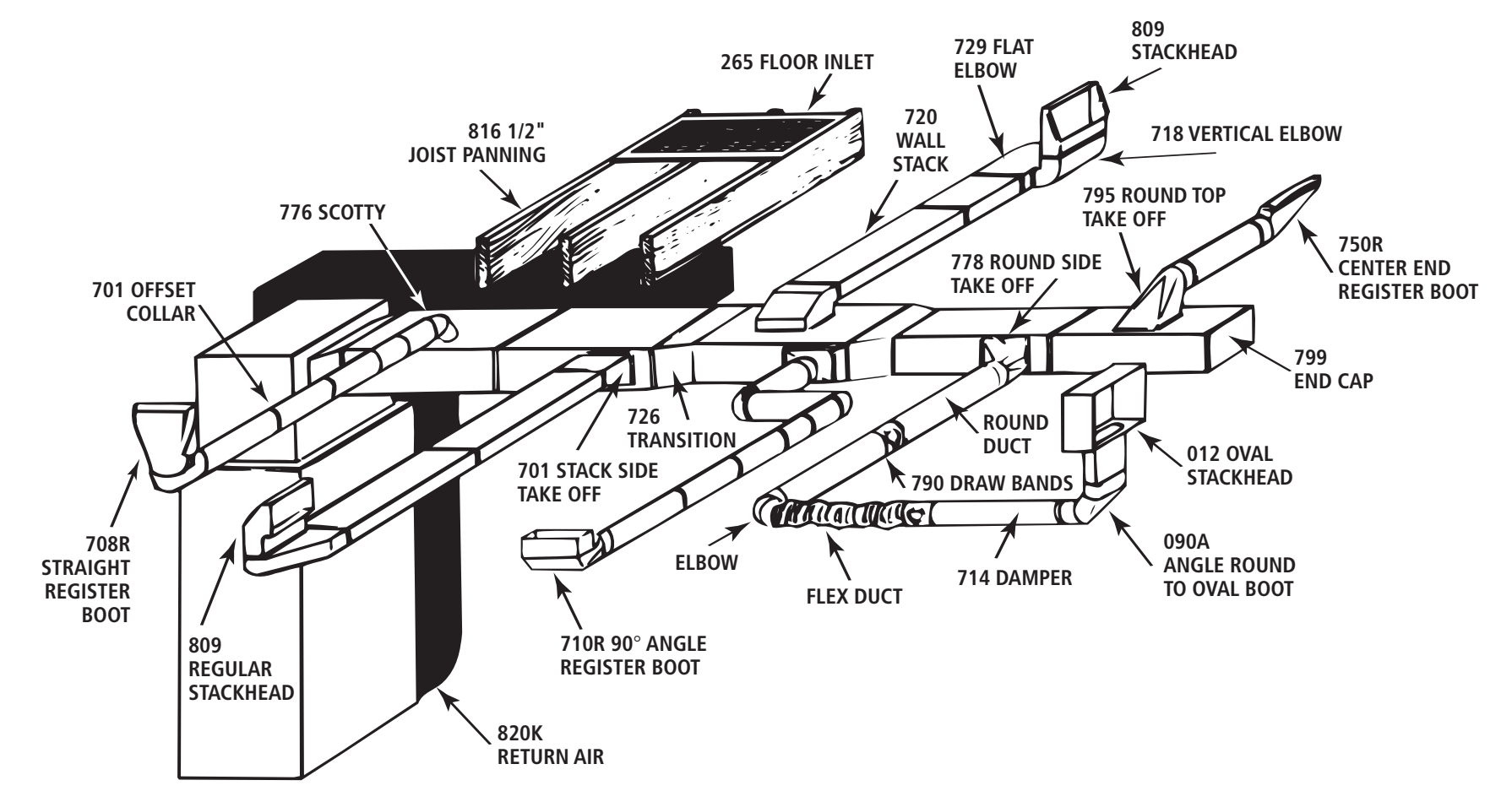


EXCELSIOR

FITTINGS FOR ALL YOUR HVAC NEEDS

"Build with the Excelsior Edge"

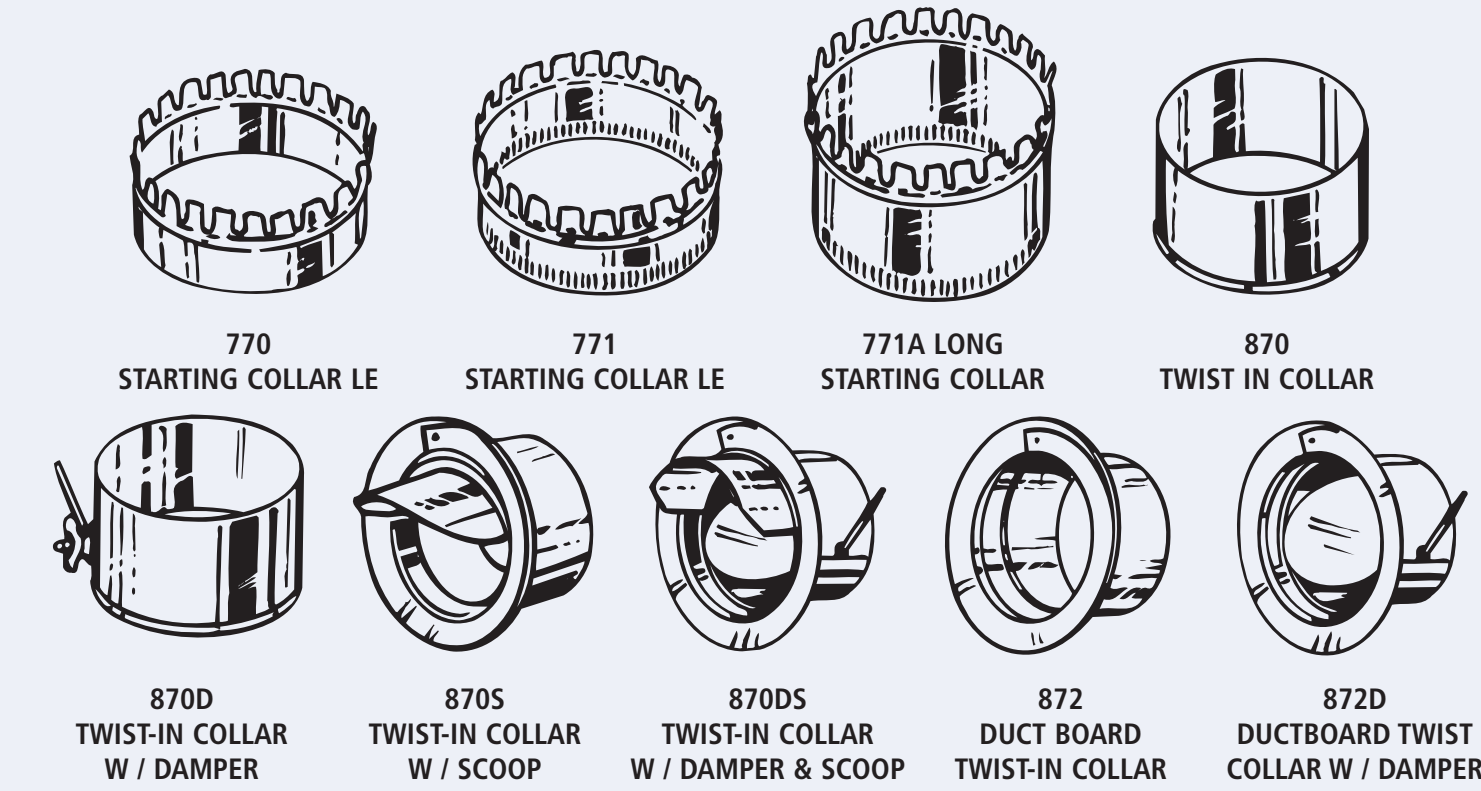


GALVANIZED

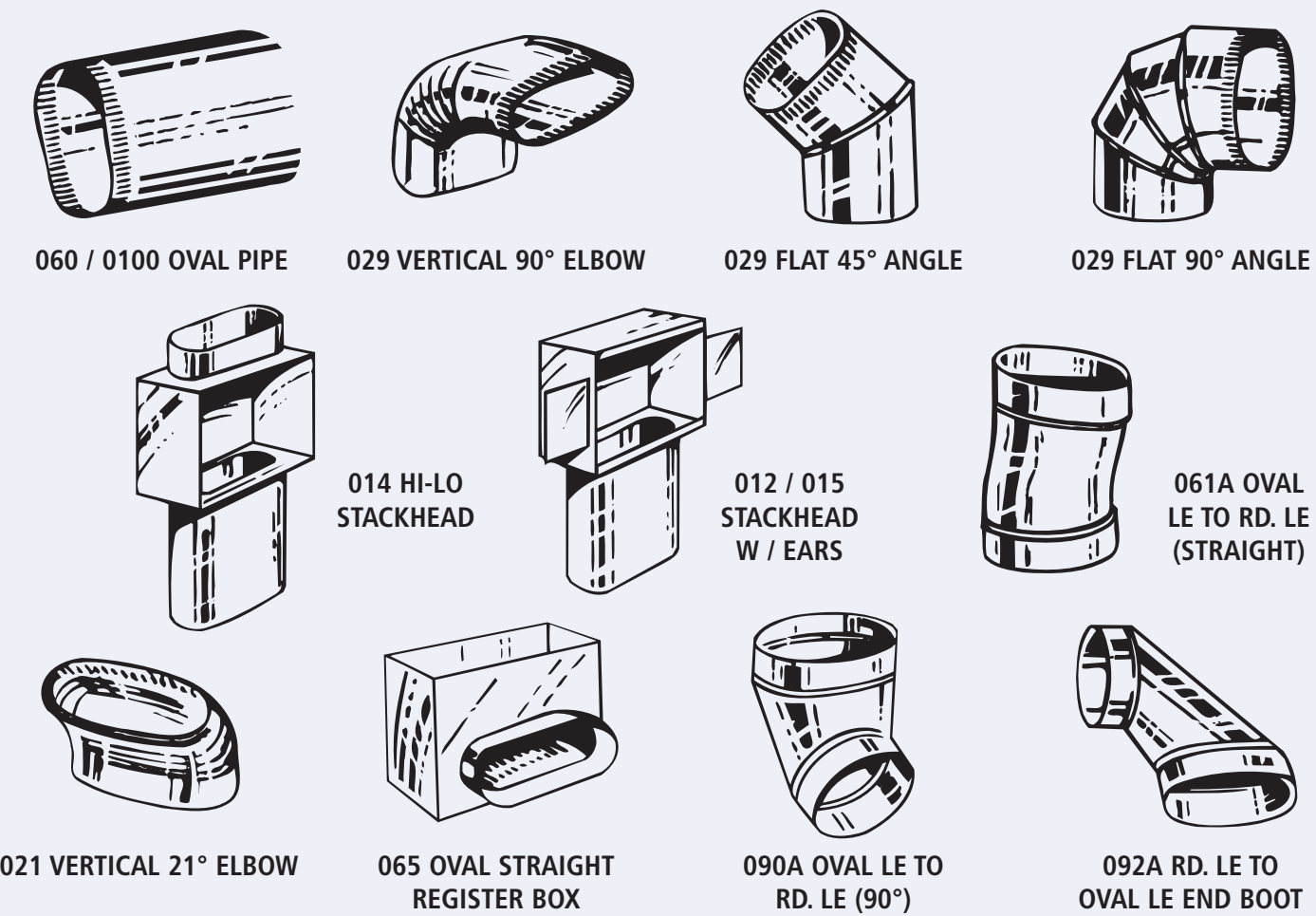
ROUND PIPE, ELBOWS AND ANGLES



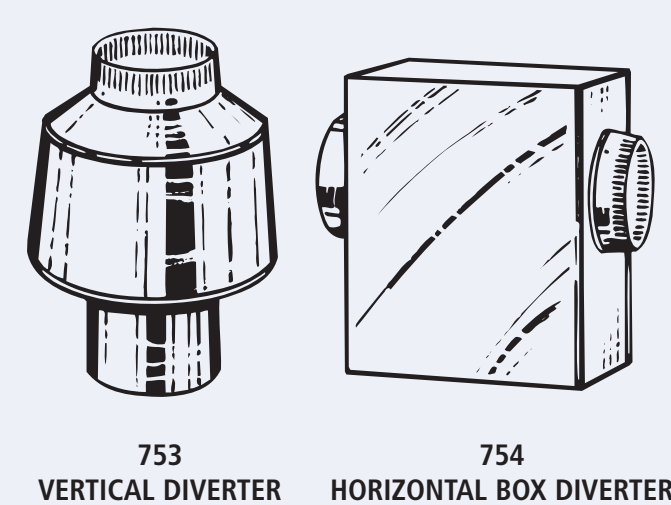
ROUND COLLARS



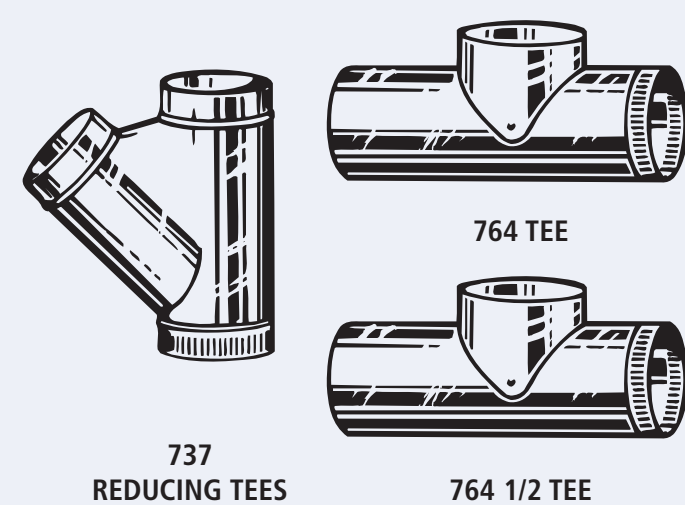
OVAL PIPE AND FITTINGS



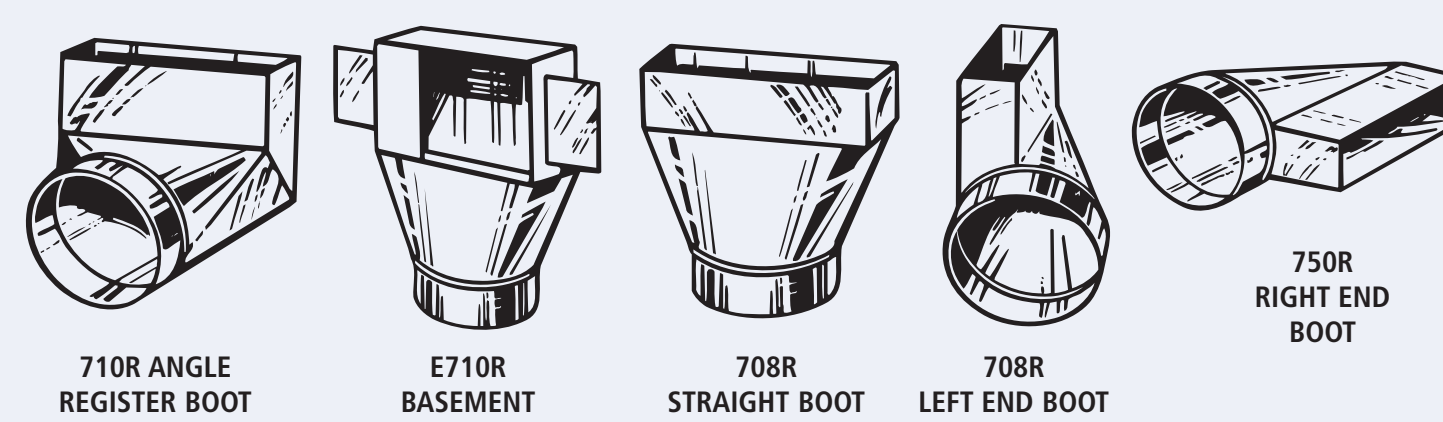
DIVERTERS



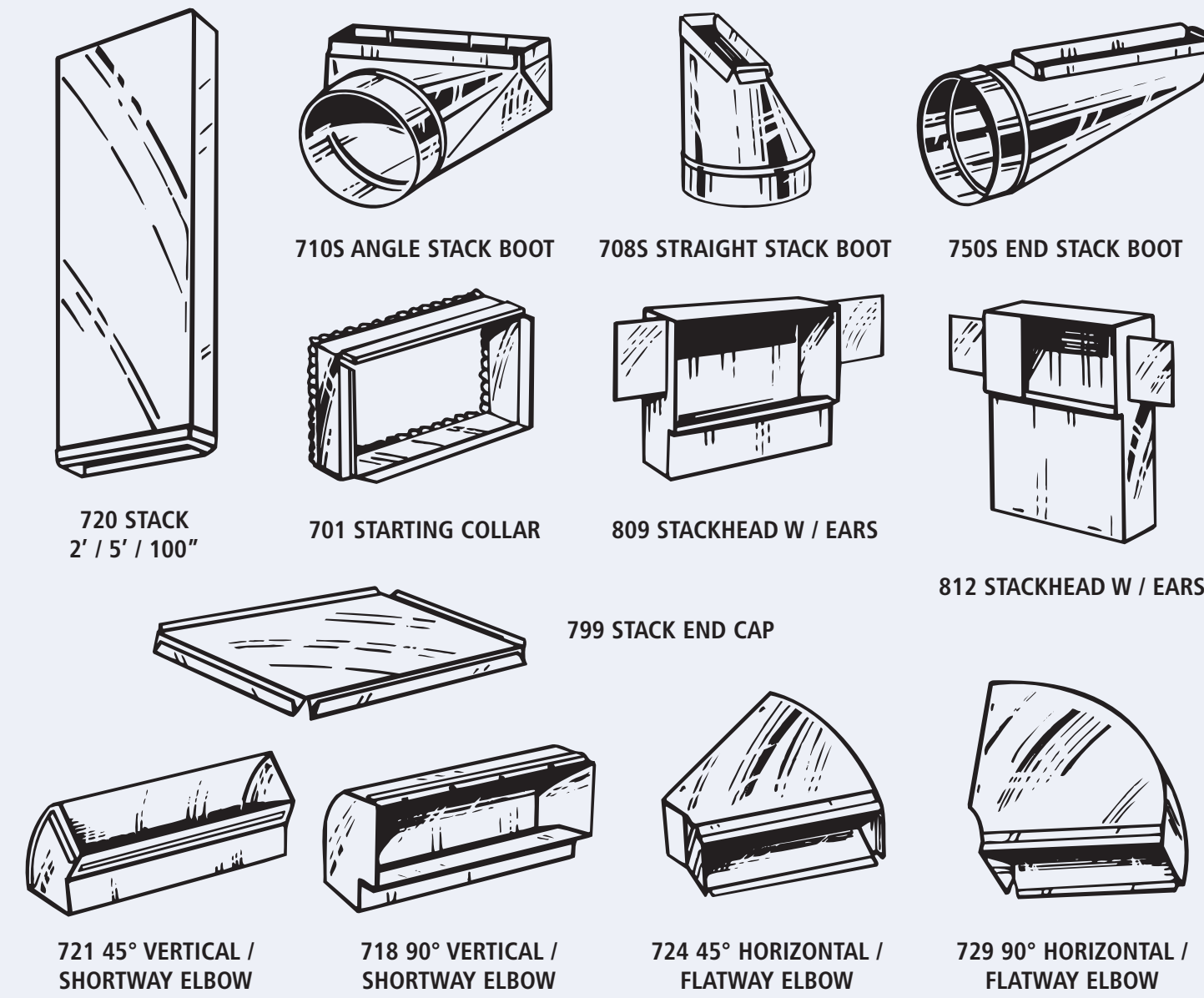
TEES



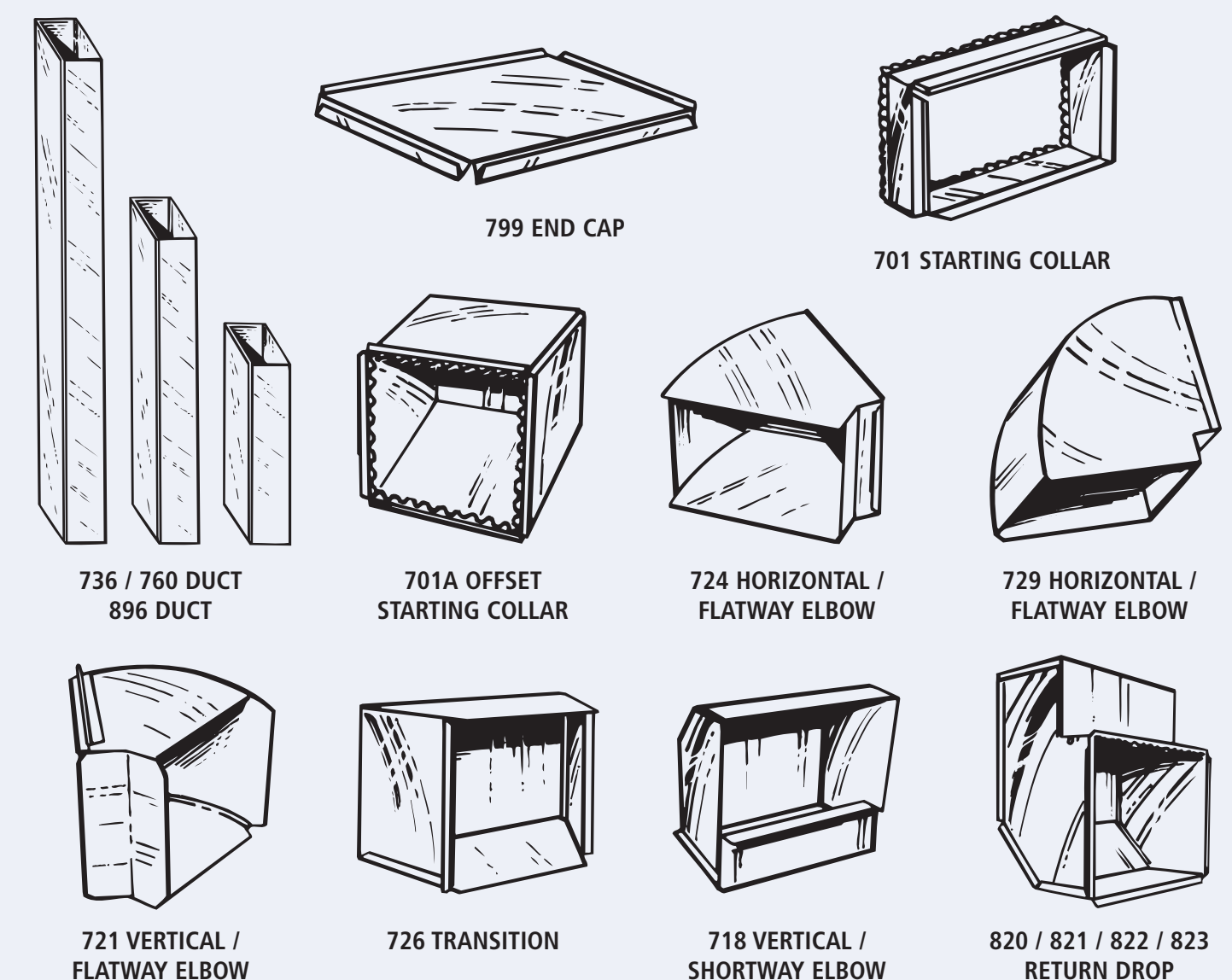
REGISTER BOOTS



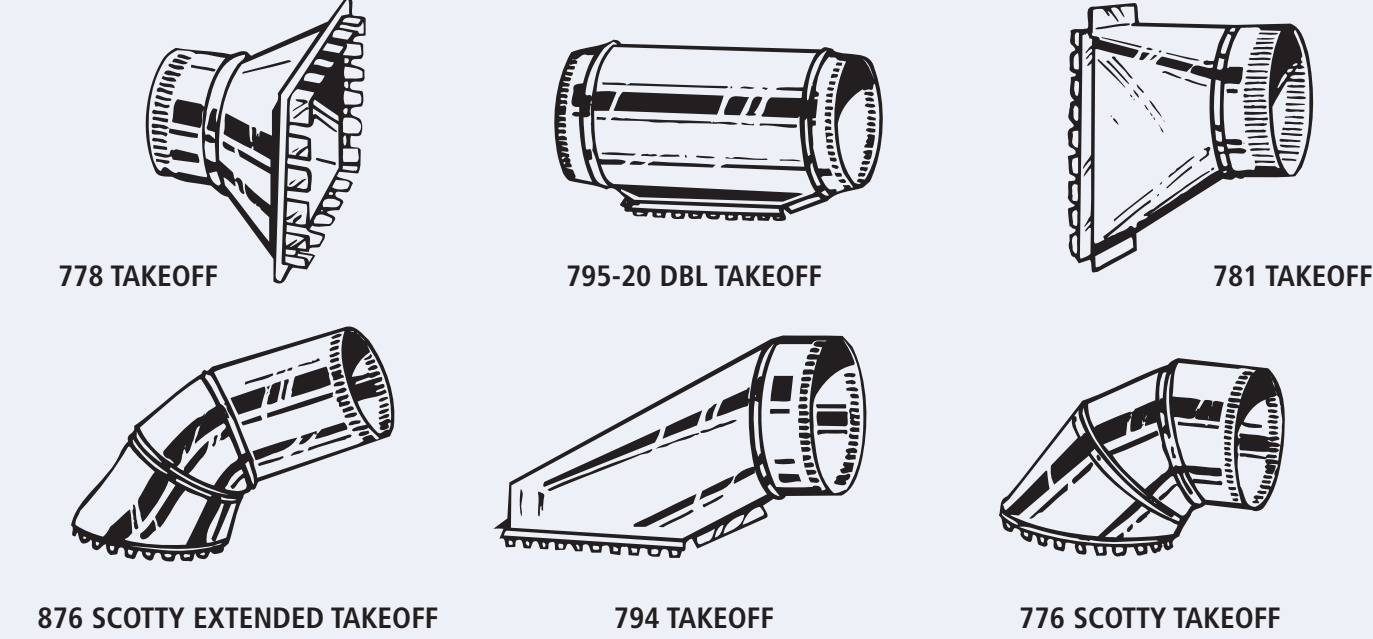
STACK, BOOTS AND FITTINGS



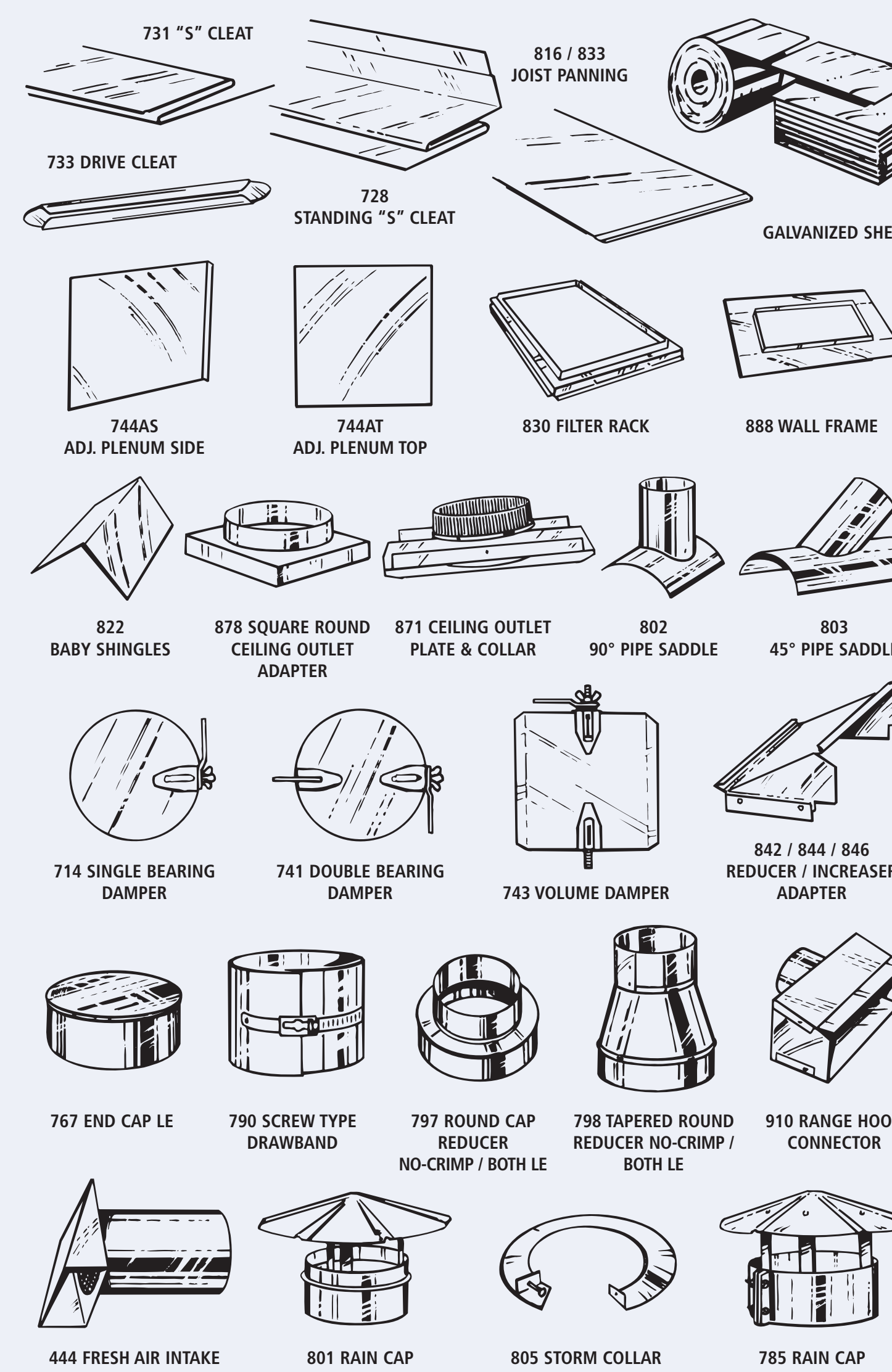
DUCT AND FITTINGS



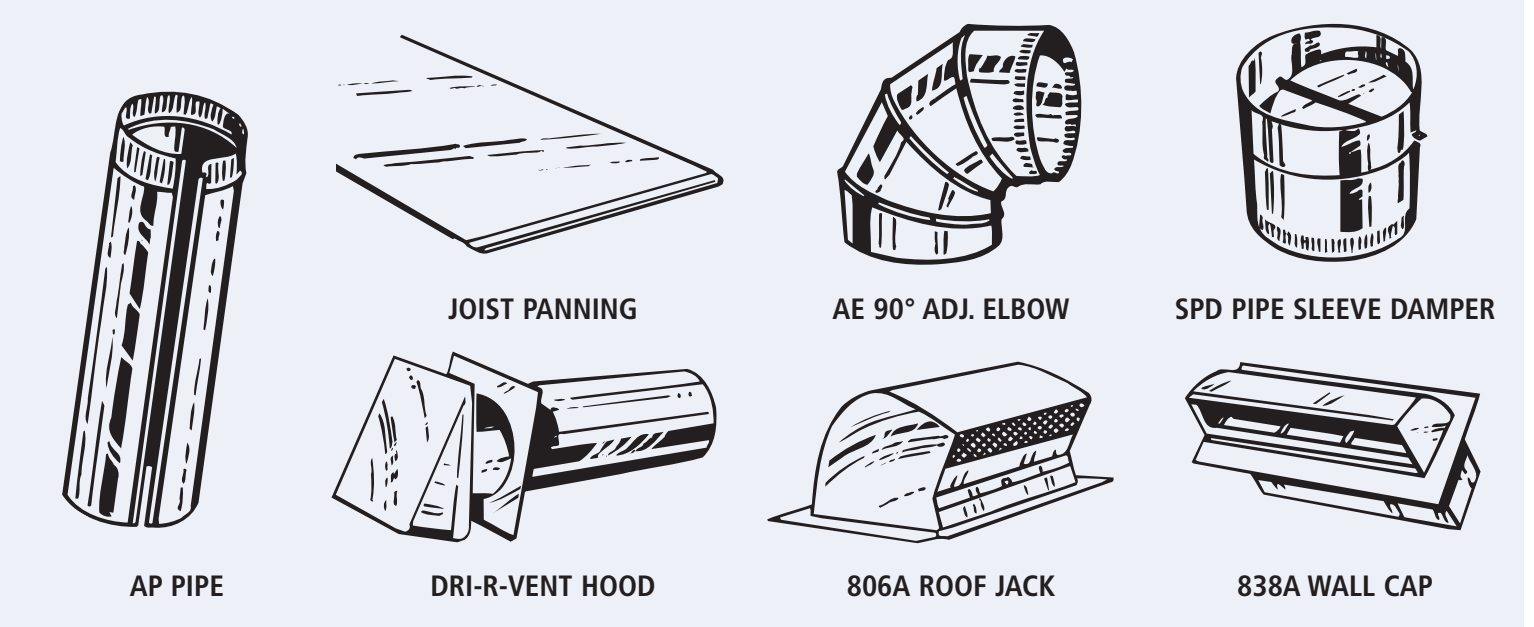
TAKEOFFS



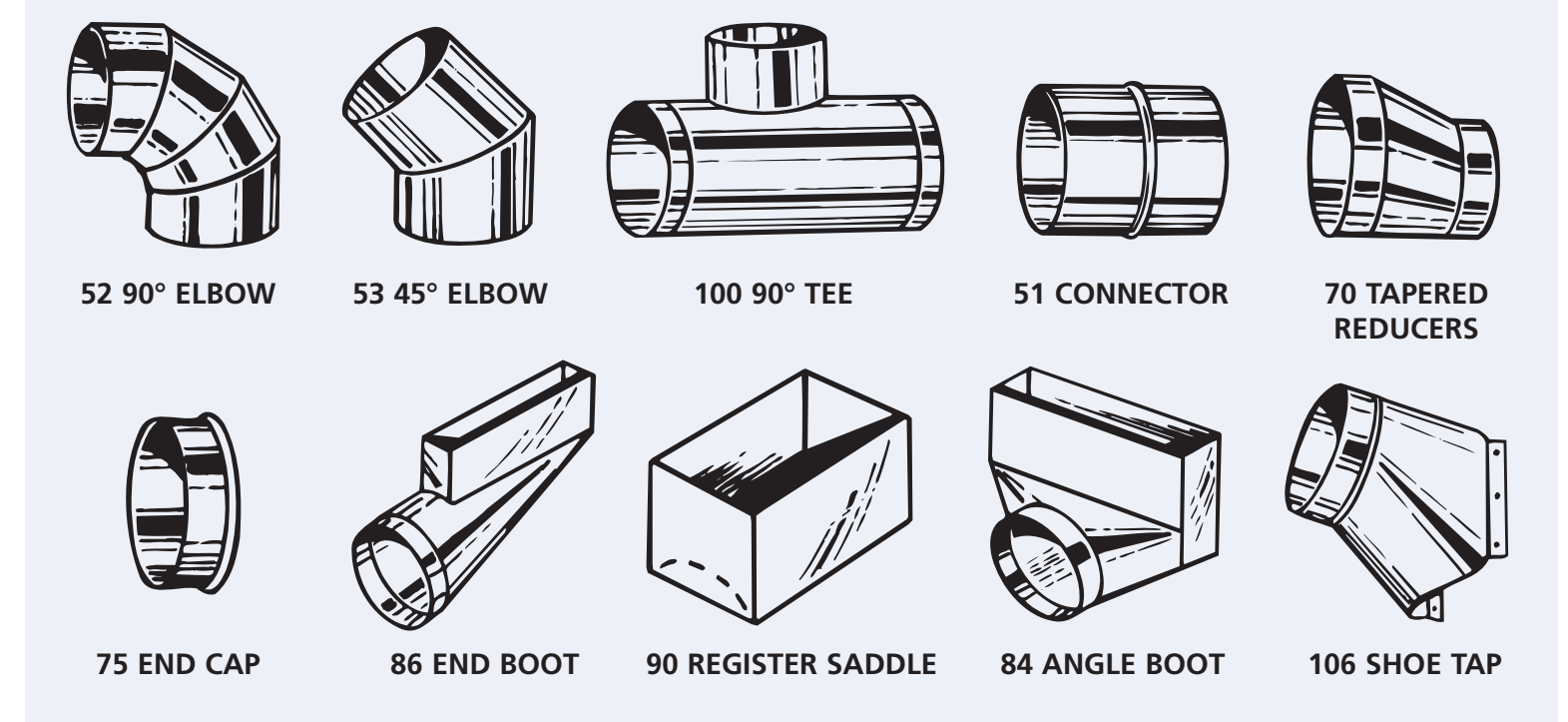
ACCESSORIES



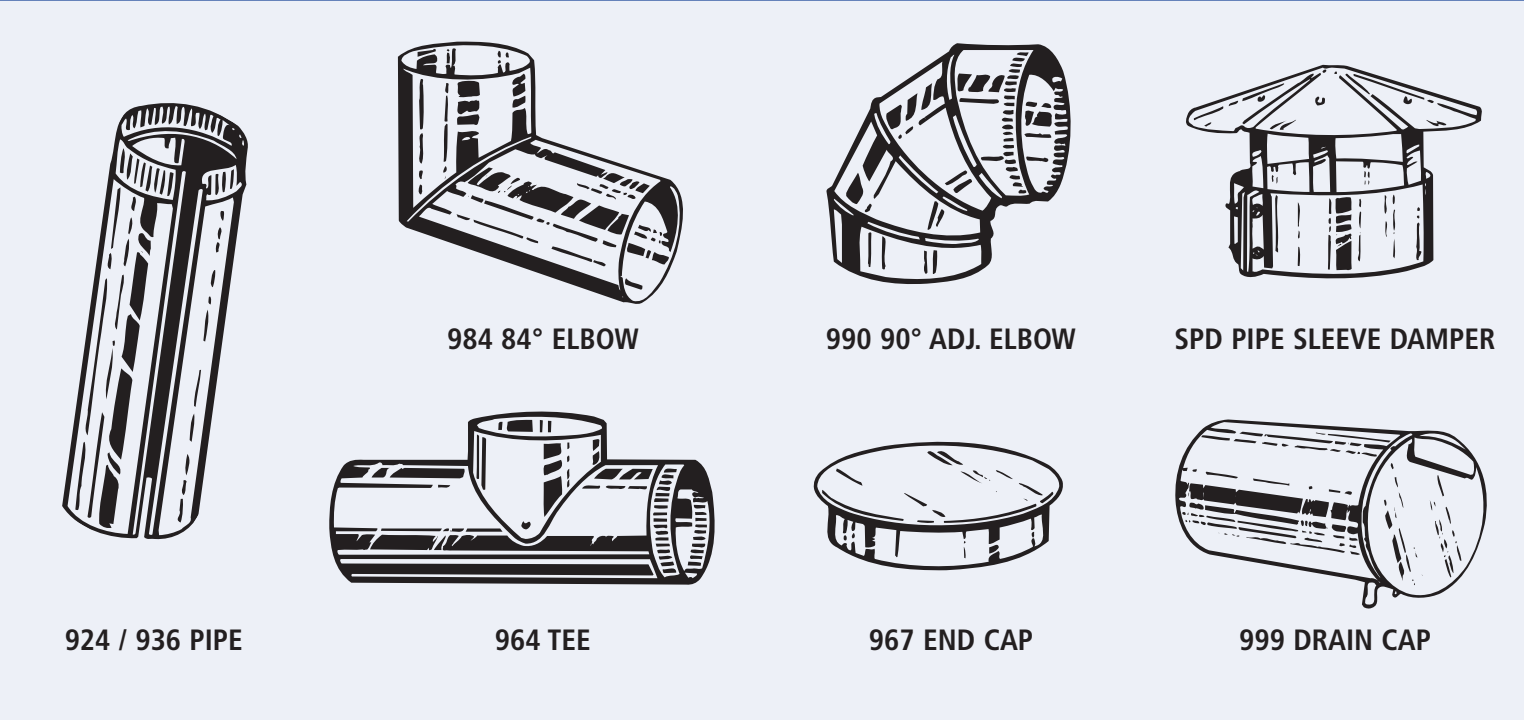
ALUMINUM



POLYVINYL COATED DUCT FITTINGS (PCD)



STAINLESS STEEL



Excelsior – A Trusted Name For Over 100 Years!

visit www.excelsiorhvac.com

© COPYRIGHT 2009, National Excelsior Company